

Check valve 488W and 489W

- Dezincification resistant brass
- Connection female thread 1/2" or male x female thread 1/2"



Description

Check valve.

Construction

Straight check valve in nickel-plated dezincification resistant brass. Connection female thread 1/2" or male x female thread 1/2". O-ring in Viton.

Maintenance

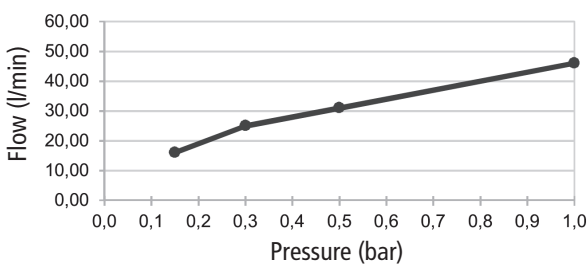
Check valves are normally maintenance-free but should be inspected periodically.

Technical data

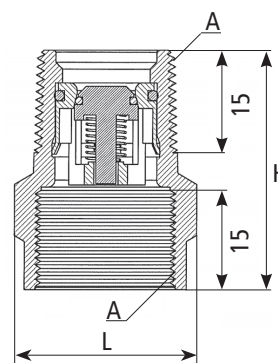
Body	Dezincification resistant brass CW602N
Check valve	POM
Spring	Stainless steel AISI 304
O-ring	Viton

Maximum working pressure: 16 bar
 Opening pressure: 0.05 bar
 Maximum working temperature: +65°C
 (+85°C max 5 minutes)
 Minimum working temperature: +2°C

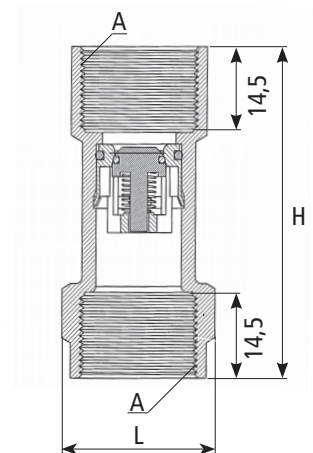
Pressure drop chart



488W



489W



Item number	Description	Connection thread A	Length L	Height H	Weight (kg)
0548850150	Check valve 488W-15, 1/2" M x 1/2" F	1/2" M (conical) x 1/2" F	27	35	0,055
0548950150	Check valve 489W-15, 1/2" F	1/2" F	27	56	0,089

All dimensions in millimetres

Subject to technical changes and corrections without notice